

PARTS LIST

[MX-K5]

[MX-K6]

* All printed circuit boards and its assemblies are not available as service parts.

MX-K5	
Area suffix	
J -----	U.S.A.
C -----	Canada
MX-K6	
Area suffix	
C -----	Canada

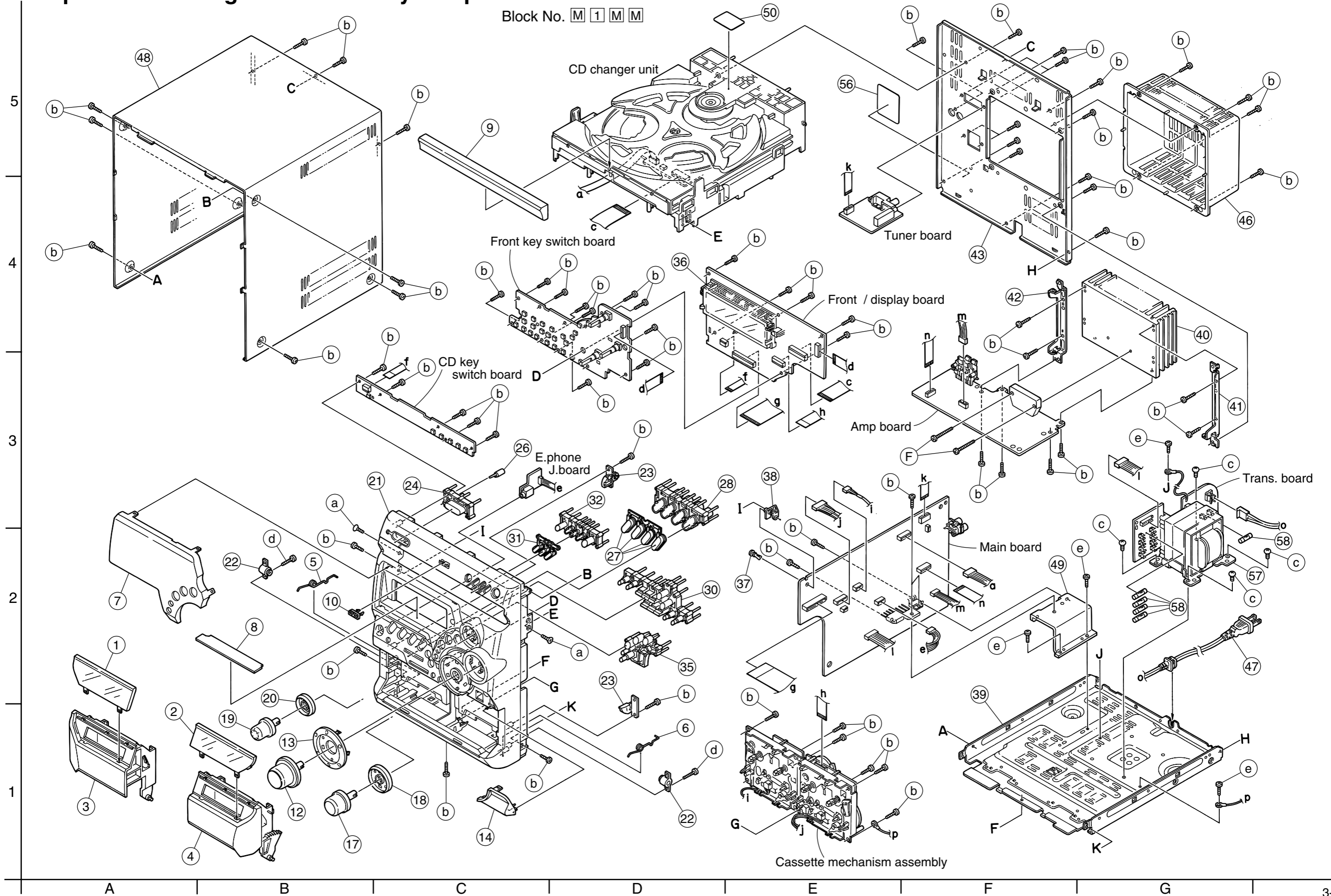
- Contents -

Exploded view of general assembly and parts list	3- 3
CD mechanism assembly and parts list	3- 5
CD changer mechanism assembly and parts list	3- 6
Cassette mechanism assembly and parts list	3- 8
Electrical parts list	3- 9
Packing materials and accessories parts list	3-18

< M E M O >

Exploded view of general assembly and parts list

Block No. **M 1 M M**



MX-K5/MXK6

■ Parts list(General assembly)

Block No. M1MM

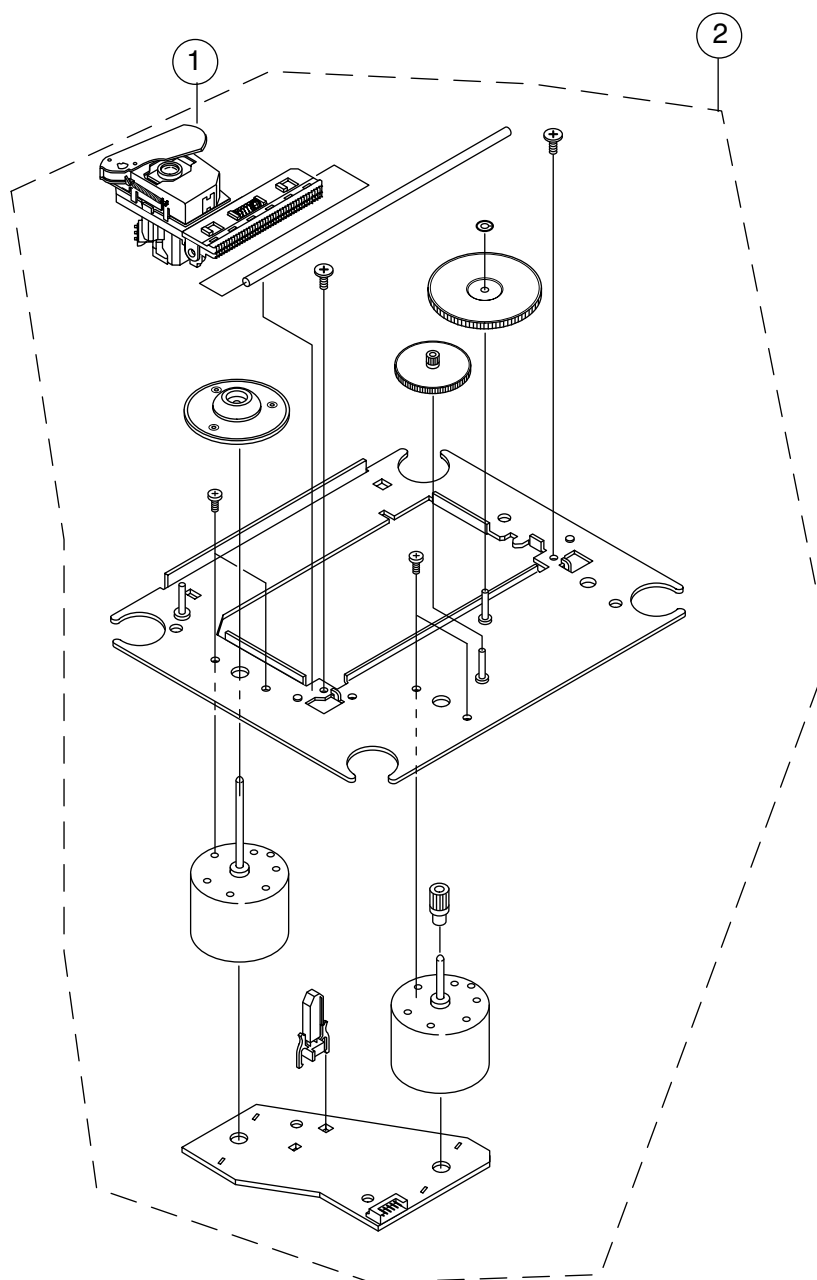
△	Item	Parts number	Parts name	Q'ty	Description	Area
	1	AH64-01141A	WINDOW-DOOR A	1		
	2	AH64-01142A	WINDOW-DOOR B	1		
	3	AH64-01128B	DOOR CASS A	1	MX-K5	C J
		AH64-01128C	DOOR CASS A	1	MX-K6	C
	4	AH64-01129B	DOOR CASS B	1	MX-K5	C J
		AH64-01129C	DOOR CASS B	1	MX-K6	C
	5	AH61-00552A	SPRING-DOOR A	1		
	6	AH61-00553A	SPRING-DOOR B	1		
	7	AH64-01140B	WINDOW VFD	1	MX-K5	C J
		AH64-01140C	WINDOW VFD	1	MX-K6	C
	8	AH63-00252A	SHEET VFD	1		
	9	AH64-01126B	DOOR-TRAY	1	MX-K5	C J
		AH64-01126C	DOOR-TRAY	1	MX-K6	C
	10	AH64-00462B	BADGE-JVC	1		
	12	AH64-01135B	KNOB-VOLUME	1	MX-K5	C J
		AH64-01135C	KNOB-VOLUME	1	MX-K6	C
	13	AH61-00659B	CAP-VOLUME	1	MX-K5	C J
		AH61-00659C	CAP-VOLUME	1	MX-K6	C
	14	AH61-00658B	CAP-DUMMY	1	MX-K5	C J
		AH61-00658D	CAP-DUMMY	1	MX-K6	C
	17	AH64-01134B	KNOB-WOOFER	1	MX-K5	C J
		AH64-01134C	KNOB-WOOFER	1	MX-K6	C
	18	AH67-00105A	LENS-WOOFER	1		
	19	AH64-01133B	KNOB-S/MODE	1	MX-K5	C J
		AH64-01133C	KNOB-S/MODE	1	MX-K6	C
	20	AH67-00104A	LENS-S/MODE	1		
	21	AH64-01123B	LENS-S/MODE	1	MX-K5	C J
		AH64-01123M	LENS-S/MODE	1	MX-K6	C
	22	AH61-80030A	DAMPER-ASSY	2		
	23	AH95-50001A	ASSY-LATCH	2		
	24	AH64-01130B	KNOB-POWER	1	MX-K5	C J
		AH64-01130C	KNOB-POWER	1	MX-K6	C
	26	AH67-00106A	LENS-POWER	1		
	27	AH67-00103B	LENS-FUNCTION	1		
	28	AH61-00661A	HOLDER-FUNCTION	1		
	30	AH64-01138B	KNOB-MAIN	1	MX-K5	C J
		AH64-01138C	KNOB-MAIN	1	MX-K6	C
	31	AH67-00102B	LENS-CD	1		
	32	AH64-01132B	KNOB-DISC	1	MX-K5	C J
		AH64-01132C	KNOB-DISC	1	MX-K6	C
	35	AH64-01137C	KNOB-STOP	1	MX-K6	C
		AH64-01137B	KNOB-STOP	1	MX-K5	C J
	36	AH61-00662A	HOLDER-VFD	1		
	37	AH61-40014A	SUPPORT-RIVET	1		
	38	AH61-00021B	SUPPORT-PCB	1		
	39	AH64-30416C	CABINET-BOTTOM	1		
	40	AH62-00043A	HEAT SINK	1		
	41	AH61-00655A	BRKT-H/SINK L	1		

■ Parts list(General assembly)

Block No. M1MM

△	Item	Parts number	Parts name	Q'ty	Description	Area
	42	AH61-00656A	BRKT-H/SINK R	1		
	43	AH64-01125B	CABINET-REAR	1		
	46	AH63-00250A	COVER-REAR	1		
△	47	AH39-00258H	POWER CODE	1		
	48	AH64-30390F	CABINET-TOP	1		
	49	AH62-00042A	HEAT SINK	1		
	50	AH68-50275D	LASER-CAUTION	1		
	56	AH68-00687B	LABEL RATING	1	MX-K5	C
		AH68-00687G	LABEL RATING	1	MX-K6	C
		AH68-00687A	LABEL RATING	1	MX-K5	J
△	57	AH26-00105A	POWER TRANS	1		
△	58	3601-001245	FUSE	5		
	a	6002-000126	SCRWE-TAPPING	2	FH M3*10 BLK	
	b	6003-000276	SCREW	78	BH M3*10 YEL	
	c	AH60-10107A	SCREW-TAPTITE	4	M4*6 YEL	
	d	6003-000277	SCREW-TAPTITE	2	BH M3*12 YEL	
	e	6002-000398	SCREW-TAPPING	3	BH M3*6 YEL	
	f	6003-000278	SCREW-TAPTITE	4		

CD mechanism assembly and parts list

Block No. M 2 M M

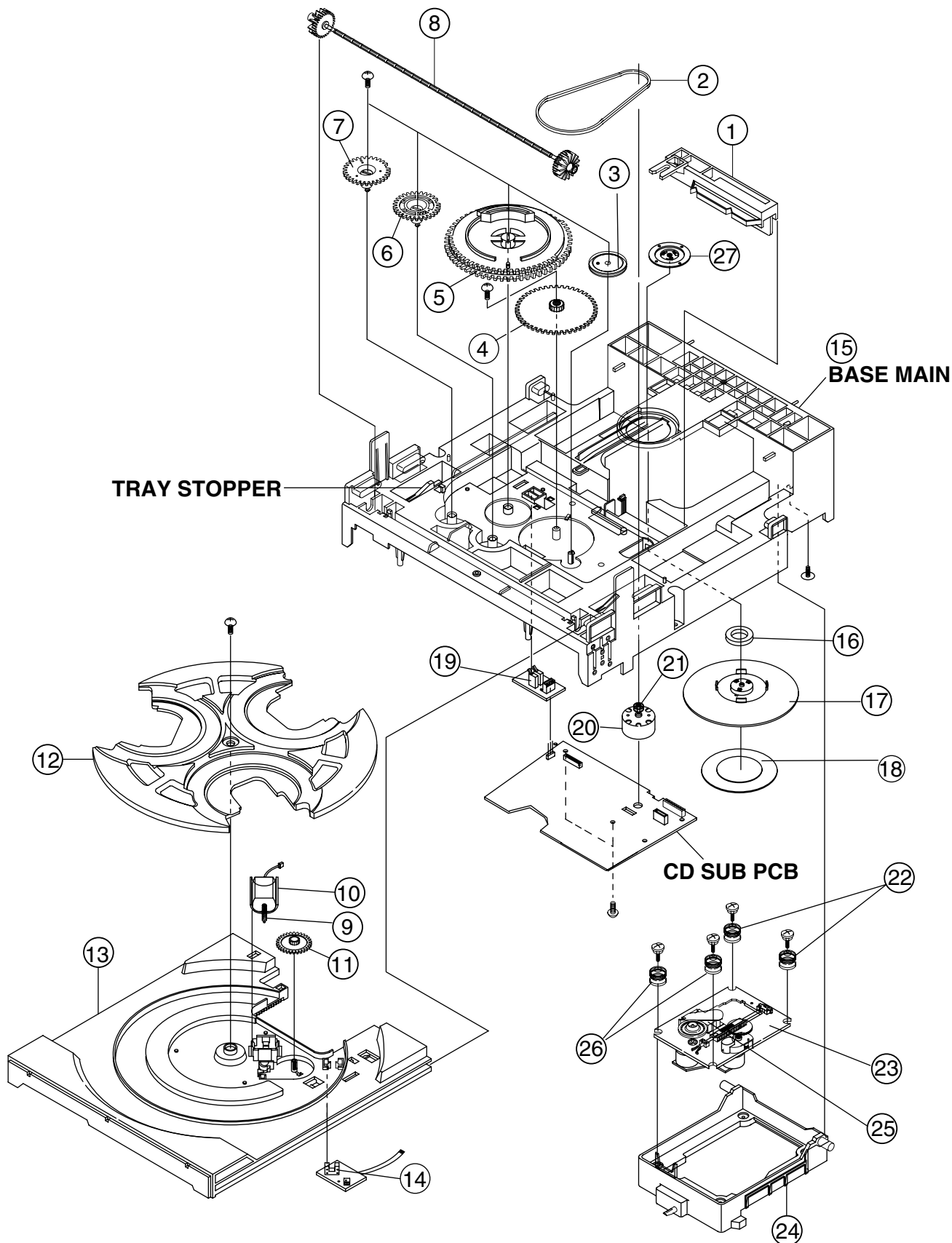
■ Parts list(CD mechanism)

Block No. M2MM

▲	Item	Parts number	Parts name	Q'ty	Description	Area
	1	AH30-00007A	OPTICAL PICK-UP	1	SOH-AD3	
	2	AH91-60150C	CDP-DECK ASS'Y	1	CMS-D73SG6U	


CD changer mechanism assembly and parts list

Block No. M 3 M M



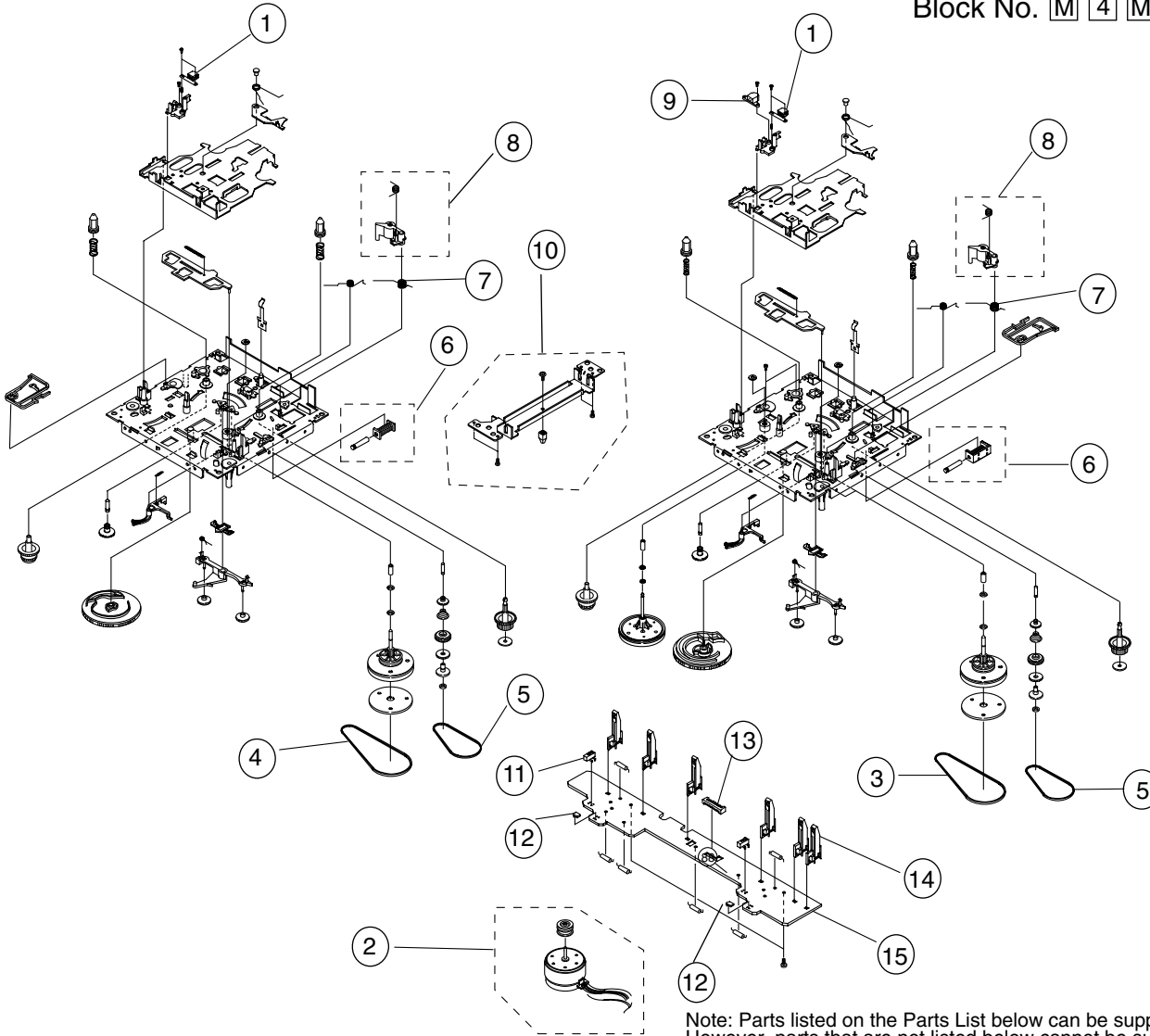
Parts list(CD changer mechanism)

Block No. M3MM

	Item	Parts number	Parts name	Q'ty	Description	Area
	1	AH66-80022A	SLIDE CAM	1	ABS HF-380 NTR	
	2	AH66-60034A	BELT LOAD	1	CR	
	3	AH66-20186A	GEAR PULLEY	1	POM (M90-44)WHT	
	4	AH66-20187A	GEAR-LOAD	1	POM (M90-44)BLK	
	5	AH66-20188A	GEAR-CAM	1	POM(M90-44)WHT	
	6	AH66-20189A	GEAR-TRAY	1	POM(M90-44)BLK	
	7	AH66-20190A	GEAR-CONVERTOR	1	POM (M90-44) WH	
	8	AH66-20191A	GEAR-SYNCRO	1	ABS HF-380 NTR	
	9	AH66-20192A	GEAR-WORM	1	POM (M90-44)WHT	
	10	AH31-12001A	LOADING MOTOR	1	FF-030PN-09120	
	11	AH66-20193A	GEAR-ROULLETE	1	POM(M90-44)BLK	
	12	AH66-90056A	TRAY-ROULLETE	1	ABS XR-401 BLK	
	13	AH66-90055A	TRAY DISC	1	ABS XR-401 BLK	
	14	AH32-10001F	SENSOR	1	KPI-L06	
	15	AH61-20428A-1	BASE MAIN	1		
	16	3302-000159	MAGNET-FERRITE	1		
	17	AH66-90053A	TABTE-CHUCK UNI	1		
	18	AH63-00068B	SHEET CHUCK	1		
	19	3404-000101	SWICH MICRO	1	MLS-24	
	20	AH31-10021A	DC MORTOR	1		
	21	AH66-10008A	PULLEY-MOTOR	1		
	22	AH73-10031A	RUBBER-CD	1		
	23	AH91-60150C	SP MORTOR ASS'Y	1	CMS-D73SG6U	
	24	AH66-30098A	LEVER-LIFTER	1		
	25	AH30-00007A	CD PICKUP	1	SOH-AD3	
	26	AH73-10034A	RUBBER-CD(G)	1		
	27	AH61-00255A	BRKT CHUCK	1	SECL 0.8T	

Cassette mechanism assembly and parts list

Block No. M 4 M M



Note: Parts listed on the Parts List below can be supplied. However, parts that are not listed below cannot be supplied individually but only by purchasing the whole Cassette Mechanism Assembly Unit. (When ordering, use the Parts No. AH59-00102A for Cassette Mechanism Assembly Unit.)

Parts list(Cassette mechanism)

Block No. M4MM

Item	Parts number	Parts name	Q'ty	Description	Area
1	AH81-00141A	REC/PB HEAD	1	TC881CB	
2	AH81-00422A	MOTOR ASS'Y	1	ADR2400-SHU2L	
3	AH81-00364A	MAIN BELT 1	1	ADR2400-MAIN0.5	
4	AH81-00365A	MAIN BELT 2	1	ADR2400-MAIN1.3	
5	AH81-00101A	FR BELT	1	ADR2400-FR34.7	
6	AH81-00102A	SOLENOID	1	ADR2400-1	
7	AH81-00282A	SPRING	1	S/PP/R(F)	
8	AH81-00366A	PINCH R.ASS'Y	1	ADR2400-PINCH(F)	
9	AH81-00284A	E-HEAD	1	TC2131F	
10	AH81-00367A	MOTOR BRACKET	1	ADR241SWBRKT 110	
11	AH81-00286A	SWICH	1	ADR2400-MODE	
12	AH81-00287A	PHOT SENSER	1	ADR2400-SENSOR	
13	AH81-00288A	CONNECTOR	1	ADR2400-16P	
14	AH81-00289A	LEEF SW	1	ADR2400-MXS00220	
15	AH81-00375A	PCB	1	ADR2400-1PCB	

■ Electrical parts list(Main board)

Block No. 01

△	Item	Parts number	Parts name	Remarks	Area	△	Item	Parts number	Parts name	Remarks	Area
△	#RBD1	0402-000450	DIODE				FR 18	2001-000515	C RESISTOR		
△	#RBD2	0402-001258	DIODE				FR 20	2001-000515	C RESISTOR		
△	#RC 1	2401-001928	E CAPACITOR				FR 21	2001-000273	C RESISTOR		
△	#RC 2	2401-001928	E CAPACITOR				FR 22	2001-000273	C RESISTOR		
△	#RC 3	2401-003381	E CAPACITOR				FR 23	2001-000773	C RESISTOR		
△	#RC 4	2401-003381	E CAPACITOR				FR 24	2001-000734	C RESISTOR		
△	#RC11	2201-000795	CAPACITOROR				FR 25	2001-000429	C RESISTOR		
△	#RC81	2201-000795	CAPACITOROR				FR 26	2001-000522	C RESISTOR		
△	#RF23	2008-000135	FUSE RESISTOR				FR 28	2001-000290	C RESISTOR		
△	#RR18	2001-000454	C RESISTOR				FR 51	2001-000515	C RESISTOR		
	AUX	3722-000377	JACK-RCA				FR 52	2001-000786	C RESISTOR		
	CR 36	2001-000290	C RESISTOR				FR 53	2001-000515	C RESISTOR		
	FC 9	2401-000419	E CAPACITOR				FR 54	2001-000786	C RESISTOR		
	FC 11	2401-001975	E CAPACITOR				FR 55	2001-000890	C RESISTOR		
	FC 17	2401-001954	E CAPACITOR				FR 56	2001-000563	C RESISTOR		
	FC 23	2401-000419	E CAPACITOR				FR 57	2001-000273	C RESISTOR		
	FC 31	2401-002180	E CAPACITOR				FR 58	2001-000273	C RESISTOR		
	FC 32	2401-001954	E CAPACITOR				FR 59	2001-000563	C RESISTOR		
	FC 35	2301-000361	C CAPASITOR				FR 81	2001-000591	C RESISTOR		
	FC 36	2301-000375	C CAPACITOR				FR 82	2001-000591	C RESISTOR		
	FC 50	2401-000419	E CAPACITOR				FR1L	2001-000411	C RESISTOR		
	FC 51	2202-000806	C CAPACITOR				FR1R	2001-000411	C RESISTOR		
	FC 52	2202-000806	C CAPACITOR				FR2L	2001-000411	C RESISTOR		
	FC 53	2401-001912	E CAPACITOR				FR2R	2001-000411	C RESISTOR		
	FC 54	2401-001912	E CAPACITOR				FR252	2001-000786	C RESISTOR		
	FC 57	2401-001975	E CAPACITOR				FR253	2001-000290	C RESISTOR		
	FCW 1	3708-000122	CONNECTOR				FR27L	2001-000786	C RESISTOR		
	FCW 2	3708-001094	CONNECTOR				FR4L	2001-000221	C RESISTOR		
	FCW 3	3708-000258	CONNECTOR	30P 1.25MM			FR4R	2001-000221	C RESISTOR		
	FC1L	2201-000368	C CAPACITOR				FR5L	2001-000864	C RESISTOR		
	FC1R	2201-000368	C CAPACITOR				FR5R	2001-000864	C RESISTOR		
	FC10L	2301-000389	C CAPACITOR				FR6L	2001-000864	C RESISTOR		
	FC10R	2301-000389	C CAPACITOR				FR6R	2001-000864	C RESISTOR		
	FC2L	2401-001912	E CAPACITOR				FR8L	2001-000802	C RESISTOR		
	FC2R	2401-001912	E CAPACITOR				FR8R	2001-000802	C RESISTOR		
	FC251	2401-001912	E CAPACITOR				FZD 1	0403-000372	ZENER DIODE		
	FC252	2401-001912	E CAPACITOR				HC 1	2401-000795	E CAPACITOR		
	FC253	2401-001912	E CAPACITOR				HC 2	2401-000795	E CAPACITOR		
	FC3L	2401-001912	E CAPACITOR				HCW 2	AH39-00247A	LEAD-CONNECTOR		
	FC3R	2401-001912	E CAPACITOR				HCW 3	3711-001062	CONNECTOR		
	FC4L	2401-001912	E CAPACITOR				HC1L	2401-001912	E CAPACITOR		
	FC4R	2401-001912	E CAPACITOR				HC1R	2401-001912	E CAPACITOR		
	FC5L	2401-001912	E CAPACITOR				HC2L	2401-001465	E CAPACITOR		
	FC5R	2401-001912	E CAPACITOR				HC2R	2401-001465	E CAPACITOR		
	FC6L	2401-002180	E CAPACITOR				HC3L	2201-000642	C CAPACITOR		
	FC6R	2401-002180	E CAPACITOR				HC3R	2201-000642	C CAPACITOR		
	FC7L	2401-001912	E CAPACITOR				HD 1	0401-000101	DIODE		
	FC7R	2401-001912	E CAPACITOR				HIC 1	1201-000163	IC		
	FC8L	2301-000454	C CAPACITOR				HJK 1	3722-000351	PHONES JACK		
	FC8R	2301-000454	C CAPACITOR				HQ1L	0501-000407	TRANSISTOR	KSD471	
	FC9L	2301-000389	C CAPACITOR				HQ1R	0501-000407	TRANSISTOR	KSD471	
	FC9R	2301-000389	C CAPACITOR				HR 1	2001-000028	C RESISTOR		
	FD 2	0401-000101	DIODE				HR 2	2001-000028	C RESISTOR		
	FD 3	0401-000101	DIODE				HR 10	2001-000411	C RESISTOR		
	FIC 1	1204-001776	IC				HR1L	2001-000449	C RESISTOR		
	FIC 4	1201-000163	IC				HR1R	2001-000449	C RESISTOR		
	FQ 2	0504-001003	TRANSISTOR	KSR2003TA			HR2L	2001-000449	C RESISTOR		
	FQ 4	0501-000398	TRANSISTOR	KSC945			HR2R	2001-000449	C RESISTOR		
	FQ1L	0504-000122	TRANSISTOR	KSR1009TA			HR20L	2001-000591	C RESISTOR		
	FQ1R	0504-000122	TRANSISTOR	KSR1009TA			HR20R	2001-000591	C RESISTOR		
	FQ151	0504-001003	TRANSISTOR	KSR2003TA			HR3L	2001-000734	C RESISTOR		
	FQ152	0504-000118	TRANSISTOR	KSR1003TA			HR3R	2001-000734	C RESISTOR		
	FR 9	2001-000027	C RESISTOR				HR4L	2001-000290	C RESISTOR		

■ Electrical parts list(Main board)

Block No. 01

△	Item	Parts number	Parts name	Remarks	Area	△	Item	Parts number	Parts name	Remarks	Area
	HR4R	2001-000290	C RESISTOR				JD 3	0401-000101	DIODE		
	HR5L	2001-000019	C RESISTOR				JIC 1	1201-000358	IC	S1A0291*01-A0B0	
	HR5R	2001-000019	C RESISTOR				JIC 2	1201-000163	IC		
	JC 7	2401-000419	E CAPACITOR				JL 1	2701-000298	INDUCTOR-AXIAL	AX470UH 04	
	JC 9	2401-000240	E CAPACITOR				JL 2	2909-000210	FILTER-LC		
	JC 10	2401-001954	E CAPACITOR				JLP1L	AH26-10002W	COIL-TRAP	BIAS-TRAP	
	JC 11	2401-000795	E CAPACITOR				JLP1R	AH26-10002W	COIL-TRAP	BIAS-TRAP	
	JC 25	2401-001975	E CAPACITOR				JL1L	AH27-10001D	COIL CHOKE		
	JC 26	2301-000404	C CAPACITOR				JL1R	AH27-10001D	COIL CHOKE		
	JC 27	2301-000404	C CAPACITOR				JQ 6	0504-001003	TRANSISTOR	KSR2003TA	
	JC 27	2201-000338	C CAPACITOR				JQ 8	0504-001003	TRANSISTOR	KSR2003TA	
	JC 28	2401-001975	E CAPACITOR				JQ 10	0501-000398	TRANSISTOR	KSC945	
	JC 29	2301-000407	C CAPACITOR				JQ 14	0501-000610	TRANSISTOR	KSA928A	
	JC 31	2401-002180	E CAPACITOR				JQ 15	0501-000369	TRANSISTOR	KSC2331	
	JC 35	2201-000601	C CAPACITOR				JQ 16	0501-000398	TRANSISTOR	KSC945	
	JC 36	2201-000368	C CAPACITOR				JQ 51	0504-001003	TRANSISTOR	KSR2003TA	
	JC 37	2201-000601	C CAPACITOR				JQ11L	0501-000407	TRANSISTOR	KSD471	
	JC 38	2201-000368	C CAPACITOR				JQ11R	0501-000407	TRANSISTOR	KSD471	
	JC 51	2401-000970	E CAPACITOR				JQ2L	0501-000010	TRANSISTOR	KSC1008	
	JCW 1	3711-003107	CONNECTOR				JQ2R	0501-000010	TRANSISTOR	KSC1008	
	JCW 2	3711-003111	CONNECTOR				JQ3L	0501-000010	TRANSISTOR	KSC1008	
	JCW 3	3711-003107	CONNECTOR				JQ3R	0501-000010	TRANSISTOR	KSC1008	
	JC1L	2202-000847	C CAPACITOR				JQ4L	0501-000398	TRANSISTOR	KSC945	
	JC1R	2202-000847	C CAPACITOR				JQ4R	0501-000398	TRANSISTOR	KSC945	
	JC10L	2201-000368	C CAPACITOR				JQ5L	0501-000407	TRANSISTOR	KSD471	
	JC10R	2201-000368	C CAPACITOR				JQ5R	0501-000407	TRANSISTOR	KSD471	
	JC13L	2401-002180	E CAPACITOR				JR 4	2001-000522	C RESISTOR		
	JC13R	2401-002180	E CAPACITOR				JR 13	2001-000773	C RESISTOR		
	JC14L	2401-001465	E CAPACITOR				JR 14	2001-000802	C RESISTOR		
	JC14R	2401-001465	E CAPACITOR				JR 15	2001-000708	C RESISTOR		
	JC15L	2401-002180	E CAPACITOR				JR 21	2001-000027	C RESISTOR		
	JC15R	2401-002180	E CAPACITOR				JR 23	2001-000591	C RESISTOR		
	JC151	2401-001912	E CAPACITOR				JR 25	2001-000429	C RESISTOR		
	JC152	2401-001912	E CAPACITOR				JR 26	2001-000734	C RESISTOR		
	JC16L	2201-000368	C CAPACITOR				JR 27	2001-000023	C RESISTOR		
	JC16R	2201-000368	C CAPACITOR				JR 29	2001-000786	C RESISTOR		
	JC162	2401-000419	E CAPACITOR				JR 30	2001-000591	C RESISTOR		
	JC17L	2301-000413	C CAPACITOR				JR 31	2001-000734	C RESISTOR		
	JC17R	2301-000413	C CAPACITOR				JR 32	2001-000456	C RESISTOR		
	JC19L	2301-000462	C CAPACITOR				JR 33	2001-000290	C RESISTOR		
	JC19R	2301-000462	C CAPACITOR				JR 38	2001-000890	C RESISTOR		
	JC20L	2401-000419	E CAPACITOR				JR 39	2001-000290	C RESISTOR		
	JC21L	2401-000419	E CAPACITOR				JR 40	2001-000290	C RESISTOR		
	JC21R	2401-000419	E CAPACITOR				JR 43	2001-000591	C RESISTOR		
	JC22L	2301-000407	C CAPACITOR				JR 44	2001-000522	C RESISTOR		
	JC22R	2301-000407	C CAPACITOR				JR 45	2001-000522	C RESISTOR		
	JC23L	2201-000674	C CAPACITOR				JR 46	2001-000591	C RESISTOR		
	JC23R	2201-000674	C CAPACITOR				JR 51	2001-000660	C RESISTOR		
	JC24L	2202-000847	C CAPACITOR				JR 52	2001-000591	C RESISTOR		
	JC24R	2202-000847	C CAPACITOR				JR 52	2001-000429	C RESISTOR		
	JC3L	2401-001465	E CAPACITOR				JR 53	2001-000319	C RESISTOR		
	JC3R	2401-001465	E CAPACITOR				JR 61	2001-000734	C RESISTOR		
	JC30L	2201-000368	C CAPACITOR				JR1L	2001-000890	C RESISTOR		
	JC30R	2201-000368	C CAPACITOR				JR1R	2001-000890	C RESISTOR		
	JC300	2201-000470	C CAPACITOR				JR10L	2001-000449	C RESISTOR		
	JC4L	2301-000413	C CAPACITOR				JR10R	2001-000449	C RESISTOR		
	JC4R	2301-000413	C CAPACITOR				JR11L	2001-000802	C RESISTOR		
	JC5L	2401-001954	E CAPACITOR				JR11R	2001-000802	C RESISTOR		
	JC5R	2401-001954	E CAPACITOR				JR12L	2001-000734	C RESISTOR		
	JC8L	2301-000413	C CAPACITOR				JR12R	2001-000734	C RESISTOR		
	JC8R	2301-000413	C CAPACITOR				JR16L	2001-000613	C RESISTOR		
	JD 1	0401-000101	DIODE				JR16R	2001-000613	C RESISTOR		
	JD 2	0401-000101	DIODE				JR17L	2001-000003	C RESISTOR		

■ Electrical parts list(Main board)

Block No. 01

△	Item	Parts number	Parts name	Remarks	Area	△	Item	Parts number	Parts name	Remarks	Area
	JR17R	2001-000003	C RESISTOR				RFS2B	3602-000147	FUSE CLIP		
	JR18L	2001-000734	C RESISTOR				RFS5A	3602-000147	FUSE CLIP		
	JR18R	2001-000734	C RESISTOR				RFS5B	3602-000147	FUSE CLIP		
	JR19L	2001-000522	C RESISTOR				RFS6A	3602-000147	FUSE CLIP		
	JR19R	2001-000522	C RESISTOR				RFS6B	3602-000147	FUSE CLIP		
	JR2L	2001-000890	C RESISTOR				RFS7A	3602-000147	FUSE CLIP		
	JR2R	2001-000890	C RESISTOR				RFS7B	3602-000147	FUSE CLIP		
	JR20L	2001-000522	C RESISTOR				RFS8A	3602-000147	FUSE CLIP		
	JR20R	2001-000522	C RESISTOR				RFS8B	3602-000147	FUSE CLIP		
	JR24L	2001-000613	C RESISTOR				RIC 1	1203-001653	IC		
	JR24R	2001-000613	C RESISTOR				RJW 1	AH39-50001L	LEAD-FASTEN		
	JR251	2001-000008	C RESISTOR				RL 1	2701-000298	INDUCTOR-AXIAL	AX470UH 04	
	JR252	2001-000449	C RESISTOR				RQ 1	0501-000610	TRANSISTOR	KSA928A	
	JR253	2001-000449	C RESISTOR				RQ 3	0501-000398	TRANSISTOR	KSC945	
	JR254	2001-000008	C RESISTOR				RQ 4	0501-000294	TRANSISTOR	KSA708	
	JR28L	2001-000734	C RESISTOR				RR 1	2003-000701	OM RESISTOR		
	JR28R	2001-000734	C RESISTOR				RR 1	2001-000591	C RESISTOR		
	JR3L	2001-000591	C RESISTOR				RR 3	2001-000023	C RESISTOR		
	JR3R	2001-000591	C RESISTOR				RR 4	2001-000023	C RESISTOR		
	JR37L	2001-000786	C RESISTOR				RR 5	2001-000613	C RESISTOR		
	JR37R	2001-000786	C RESISTOR				RR 6	2001-000734	C RESISTOR		
	JR40L	2001-000302	C RESISTOR				RR 7	2001-000429	C RESISTOR		
	JR40R	2001-000302	C RESISTOR				RR 8	2003-000455	OM RESISTOR		
	JR41L	2001-000008	C RESISTOR				RR 9	2001-000563	C RESISTOR		
	JR41R	2001-000008	C RESISTOR				RR 10	2001-000055	C RESISTOR		
	JR42L	2001-000429	C RESISTOR				RR 11	2001-000591	C RESISTOR		
	JR42R	2001-000429	C RESISTOR				RR 12	2001-000734	C RESISTOR		
	JR5L	2001-000449	C RESISTOR				RR 13	2001-000111	C RESISTOR		
	JR5R	2001-000449	C RESISTOR				RR 16	2001-000038	C RESISTOR		
	JR6L	2001-000449	C RESISTOR				RR 17	2001-000429	C RESISTOR		
	JR6R	2001-000449	C RESISTOR				RR 20	2001-000786	C RESISTOR		
	JR7L	2001-000890	C RESISTOR				RR 22	2001-000660	C RESISTOR		
	JR7R	2001-000890	C RESISTOR				RR 51	2001-000890	C RESISTOR		
	JR9L	2001-000281	C RESISTOR				RR 52	2001-000734	C RESISTOR		
	JR9R	2001-000281	C RESISTOR				RW 1	AH39-00245A	LEAD-CONNECTOR		
	JSR1L	2103-000492	SEMI F.VR.				RW 2	AH39-00248A	LEAD-CONNECTOR		
	JSR1R	2001-000591	C RESISTOR				RZD 1	0403-000379	ZENER DIODE		
	JSR2L	2103-000248	SEMI F.VR.				RZD 2	0403-000570	ZENER DIODE		
	JSR2R	2103-000248	SEMI F.VR.				RZD 3	0403-000570	ZENER DIODE		
	PCW 1	3711-003112	CONNECTOR	08P 2.5MM			RZD 4	0403-000354	ZENER DIODE		
	RC 5	2401-001954	E CAPACITOR				RZD 5	0403-000396	ZENER DIODE		
	RC 6	2401-000907	E CAPACITOR				TC101	2201-000783	C CAPACITOR		
	RC 7	2401-001912	E CAPACITOR				TC102	2201-000783	C CAPACITOR		
	RC 8	2401-001954	E CAPACITOR								
	RC 13	2401-000230	E CAPACITOR								
	RC 14	2401-000795	E CAPACITOR								
	RC 19	2401-001893	E CAPACITOR								
	RC 20	2401-001893	E CAPACITOR								
	RC 37	2401-000438	E CAPACITOR								
	RCW 2	3711-000190	CONNECTOR								
	RCW 6	3711-002809	CONNECTOR								
	RD 1	0402-000127	DIODE								
	RD 2	0402-000127	DIODE								
	RD 3	0402-000127	DIODE								
	RD 5	0402-000127	DIODE								
	RD 7	0401-000101	DIODE								
	RD 8	0402-000151	DIODE								
	RD 9	0402-000127	DIODE								
	RD 10	0402-000127	DIODE								
	RD 30	0402-000151	DIODE								
	RD 31	0402-000151	DIODE								
	RD 32	0402-000151	DIODE								
	RFS2A	3602-000147	FUSE CLIP								

■ Electrical parts list(Front board)

Block No. 02

△	Item	Parts number	Parts name	Remarks	Area	△	Item	Parts number	Parts name	Remarks	Area
	R-EYE	AC59-60060A	MODULE REMOCON				UQ 14	0504-000117	TRANSISTOR	KSR1002TA	
	UC 1	2401-000475	E CAPACITOR				UQ 15	0504-000117	TRANSISTOR	KSR1002TA	
	UC 2	2201-000565	C CAPACITOR				UQ 17	0504-000118	TRANSISTOR	KSR1003TA	
	UC 3	2401-000475	E CAPACITOR				UQ 18	0501-000398	TRANSISTOR	KSC945-YTA	
	UC 4	2201-000565	C CAPACITOR				UR 1	2001-000003	C RESISTOR		
	UC 5	2201-000565	C CAPACITOR				UR 2	2001-000995	C RESISTOR		
	UC 6	2201-000825	C CAPACITOR				UR 4	2001-000062	C RESISTOR		
	UC 7	2201-000825	C CAPACITOR				UR 5	2001-000062	C RESISTOR		
	UC 8	2201-000247	C CAPACITOR				UR 6	2001-000062	C RESISTOR		
	UC 9	2201-000247	C CAPACITOR				UR 7	2001-000429	C RESISTOR		
	UC 10	2401-000240	E CAPACITOR				UR 8	2001-000221	C RESISTOR		
	UC 11	2401-000759	E CAPACITOR				UR 9	2001-000241	C RESISTOR		
	UC 15	2201-000565	C CAPACITOR				UR 10	2001-000258	C RESISTOR		
	UC 17	2401-001954	E CAPACITOR				UR 11	2001-000449	C RESISTOR		
	UC 19	2201-000565	C CAPACITOR				UR 12	2001-000734	C RESISTOR		
	UC 20	2201-000163	C CAPACTOR				UR 13	2001-000734	C RESISTOR		
	UC 21	2201-000163	C CAPACTOR				UR 14	2001-000734	C RESISTOR		
	UC 30	2201-000146	C CAPACITOR				UR 15	2001-000734	C RESISTOR		
	UC 32	2401-001364	E CAPACITOR				UR 16	2001-000734	C RESISTOR		
	UCW 1	3708-000492	CONNECTOR				UR 17	2001-000734	C RESISTOR		
	UCW 2	3708-000178	CONNECTOR				UR 18	2001-000734	C RESISTOR		
	UCW 3	3708-000454	CONNECTOR				UR 19	2001-000734	C RESISTOR		
	UCW 4	3708-000451	CONNECTOR				UR 20	2001-000734	C RESISTOR		
	UCW 5	3708-000492	CONNECTOR				UR 21	2001-000734	C RESISTOR		
	UCW 6	3708-001488	CONNECTOR				UR 22	2001-000734	C RESISTOR		
	UCW 7	3708-000181	CONNECTOR				UR 23	2001-000734	C RESISTOR		
	UD 3	0401-000101	DIODE	1N4148			UR 24	2001-000734	C RESISTOR		
	UD 11	0402-000127	DIODE	1N4002			UR 25	2001-000734	C RESISTOR		
	UD 12	0402-000127	DIODE	1N4002			UR 26	2001-000734	C RESISTOR		
	UD 13	0402-000127	DIODE	1N4002			UR 27	2001-000734	C RESISTOR		
	UD 14	0401-000101	DIODE	1N4148			UR 28	2001-000786	C RESISTOR		
	UD 15	0401-000101	DIODE	1N4148			UR 29	2001-000786	C RESISTOR		
	UD 16	0401-000101	DIODE	1N4148			UR 30	2001-000786	C RESISTOR		
	UD 17	0401-000101	DIODE	1N4148			UR 31	2001-000786	C RESISTOR		
	UD 18	0402-000127	DIODE	1N4002			UR 32	2001-000786	C RESISTOR		
	UD 19	0402-000127	DIODE	1N4002			UR 33	2001-000786	C RESISTOR		
	UIC 1	AH11-00037A	MASK ROM	LC866548V			UR 34	2001-000290	C RESISTOR		
	UIC 2	0904-001316	IC	M66010			UR 35	2001-000290	C RESISTOR		
	ULD 1	0601-001238	LED				UR 36	2001-000290	C RESISTOR		
	ULD 2	0601-001238	LED				UR 37	2001-000290	C RESISTOR		
	ULD 3	0601-001238	LED				UR 38	2001-000290	C RESISTOR		
	ULD 4	0601-001238	LED				UR 39	2001-000290	C RESISTOR		
	ULD 5	0601-001238	LED				UR 40	2001-000591	C RESISTOR		
	ULD 6	0601-001238	LED				UR 41	2001-000429	C RESISTOR		
	ULD 7	0601-001238	LED				UR 42	2001-000429	C RESISTOR		
	ULD 8	0601-001238	LED				UR 43	2001-000435	C RESISTOR		
	ULD 9	0601-001238	LED				UR 44	2001-000734	C RESISTOR		
	ULD10	0601-001238	LED				UR 45	2001-000508	C RESISTOR		
	ULD11	0601-001238	LED				UR 46	2001-000793	C RESISTOR		
	ULD12	0601-001238	LED				UR 47	2001-000850	C RESISTOR		
	UQ 1	0504-000117	TRANSISTOR	KSR1002TA			UR 48	2001-000295	C RESISTOR		
	UQ 2	0504-000117	TRANSISTOR	KSR1002TA			UR 49	2001-001178	C RESISTOR		
	UQ 3	0504-000117	TRANSISTOR	KSR1002TA			UR 50	2001-001178	C RESISTOR		
	UQ 4	0504-000117	TRANSISTOR	KSR1002TA			UR 51	2001-001178	C RESISTOR		
	UQ 5	0504-000118	TRANSISTOR	KSR1003TA			UR 52	2001-000449	C RESISTOR		
	UQ 6	0501-000398	TRANSISTOR	KSC945-YTA			UR 56	2001-000429	C RESISTOR		
	UQ 7	0504-000118	TRANSISTOR	KSR1003TA			UR 57	2001-000429	C RESISTOR		
	UQ 8	0501-000610	TRANSISTOR	KSA928A			UR 58	2001-000429	C RESISTOR		
	UQ 9	0504-000118	TRANSISTOR	KSR1003TA			UR 59	2001-000429	C RESISTOR		
	UQ 10	0501-000610	TRANSISTOR	KSA928A			UR 60	2001-000429	C RESISTOR		
	UQ 11	0501-000610	TRANSISTOR	KSA928A			UR 61	2001-000429	C RESISTOR		
	UQ 12	0504-000117	TRANSISTOR	KSR1002TA			UR 62	2001-000429	C RESISTOR		
	UQ 13	0504-000117	TRANSISTOR	KSR1002TA			UR 63	2001-000290	C RESISTOR		

■ Electrical parts list(Front board)

Block No. 02

△	Item	Parts number	Parts name	Remarks	Area	△	Item	Parts number	Parts name	Remarks	Area
	UR 64	2001-000290	C RESISTOR				UR204	2001-000290	C RESISTOR		
	UR 65	2001-000290	C RESISTOR				UR205	2001-000290	C RESISTOR		
	UR 66	2001-000290	C RESISTOR				UR206	2001-000290	C RESISTOR		
	UR 67	2001-000290	C RESISTOR				UR207	2001-000290	C RESISTOR		
	UR 68	2001-000290	C RESISTOR				USR 1	2103-000492	SEMI F.VR.		
	UR 69	2001-000290	C RESISTOR				USW 1	3404-000165	TACT SWITCH	SKHV10910A	
	UR 70	2001-000290	C RESISTOR				USW 3	3404-000165	TACT SWITCH	SKHV10910A	
	UR 71	2001-000290	C RESISTOR				USW 4	3404-000165	TACT SWITCH	SKHV10910A	
	UR 72	2001-000290	C RESISTOR				USW 5	3404-000165	TACT SWITCH	SKHV10910A	
	UR 74	2001-000290	C RESISTOR				USW 6	3404-000165	TACT SWITCH	SKHV10910A	
	UR 75	2001-000290	C RESISTOR				USW 7	3404-000165	TACT SWITCH	SKHV10910A	
	UR 76	2001-000290	C RESISTOR				USW 8	3404-000165	TACT SWITCH	SKHV10910A	
	UR 77	2001-000554	C RESISTOR				USW 9	3404-000165	TACT SWITCH	SKHV10910A	
	UR 79	2001-000290	C RESISTOR				USW10	3404-000165	TACT SWITCH	SKHV10910A	
	UR 80	2001-000290	C RESISTOR				USW11	3404-000165	TACT SWITCH	SKHV10910A	
	UR 81	2001-000290	C RESISTOR				USW12	3404-000165	TACT SWITCH	SKHV10910A	
	UR 82	2001-000290	C RESISTOR				USW13	3404-000165	TACT SWITCH	SKHV10910A	
	UR 83	2001-000290	C RESISTOR				USW14	3404-000165	TACT SWITCH	SKHV10910A	
	UR 84	2001-000290	C RESISTOR				USW15	3404-000165	TACT SWITCH	SKHV10910A	
	UR 85	2001-000290	C RESISTOR				USW16	3404-000165	TACT SWITCH	SKHV10910A	
	UR 86	2001-000290	C RESISTOR				USW17	3404-000165	TACT SWITCH	SKHV10910A	
	UR 87	2001-000290	C RESISTOR				USW18	3404-000165	TACT SWITCH	SKHV10910A	
	UR 88	2001-000290	C RESISTOR				USW19	3404-000165	TACT SWITCH	SKHV10910A	
	UR 89	2001-000290	C RESISTOR				USW20	3404-000165	TACT SWITCH	SKHV10910A	
	UR 90	2001-000290	C RESISTOR				USW25	3404-000165	TACT SWITCH	SKHV10910A	
	UR 91	2001-000290	C RESISTOR				USW26	3404-000165	TACT SWITCH	SKHV10910A	
	UR 92	2001-000429	C RESISTOR				USW27	3404-000165	TACT SWITCH	SKHV10910A	
	UR 93	2001-000995	C RESISTOR				USW28	3404-000165	TACT SWITCH	SKHV10910A	
	UR 94	2001-000221	C RESISTOR				USW29	3404-000165	TACT SWITCH	SKHV10910A	
	UR 95	2001-000522	C RESISTOR				USW30	3404-000165	TACT SWITCH	SKHV10910A	
	UR110	2001-000995	C RESISTOR				USW31	3404-000165	TACT SWITCH	SKHV10910A	
	UR111	2001-000062	C RESISTOR				USW32	3404-000165	TACT SWITCH	SKHV10910A	
	UR112	2001-000241	C RESISTOR				UVR 1	3406-001071	ROTARY SWITCH		
	UR113	2001-000062	C RESISTOR				UVR 2	3406-001047	ROTARY SWITCH	RE012104PVB25FI	
	UR114	2001-000258	C RESISTOR				UVR 3	3406-001047	ROTARY SWITCH	RE012104PVB25FI	
	UR115	2001-000062	C RESISTOR				UX 1	2802-000181	CERAMIC RESONAT		
	UR116	2001-000591	C RESISTOR				UX 2	2801-001394	CRYSTAL-UNIT	32.768KHZ	
	UR117	2001-000449	C RESISTOR				VFD	AH07-00040A	VF DISPLAY	BJ821GNK	
	UR118	2001-000890	C RESISTOR								
	UR119	2001-000290	C RESISTOR								
	UR120	2001-000890	C RESISTOR								
	UR121	2001-000290	C RESISTOR								
	UR122	2001-000522	C RESISTOR								
	UR123	2001-000010	C RESISTOR								
	UR124	2001-000734	C RESISTOR								
	UR125	2001-000734	C RESISTOR								
	UR126	2001-000591	C RESISTOR								
	UR127	2001-000449	C RESISTOR								
	UR128	2001-000258	C RESISTOR								
	UR129	2001-000241	C RESISTOR								
	UR130	2001-000221	C RESISTOR								
	UR131	2001-000429	C RESISTOR								
	UR150	2001-000786	C RESISTOR								
	UR151	2001-000786	C RESISTOR								
	UR152	2001-000786	C RESISTOR								
	UR153	2001-000786	C RESISTOR								
	UR154	2001-000290	C RESISTOR								
	UR162	2001-000290	C RESISTOR								
	UR164	2001-000515	C RESISTOR								
	UR196	2001-000062	C RESISTOR								
	UR201	2001-000290	C RESISTOR								
	UR202	2001-000290	C RESISTOR								
	UR203	2001-000290	C RESISTOR								

■ Electrical parts list(Amp board)

Block No. 03

△	Item	Parts number	Parts name	Remarks	Area
△	#AI2	1201-001599	IC	STK402-090	
	AC 20	2401-000871	E CAPACITOR		
	ACW 1	3708-001094	CONNECTOR		
	ACW 2	3711-001011	CONNECTOR		
	AC1L	2201-000368	C CAPACITOR		
	AC1R	2201-000368	C CAPACITOR		
	AC15L	2301-000375	C CAPACITOR		
	AC15R	2301-000375	C CAPACITOR		
	AC16L	2301-000426	C CAPACITOR		
	AC16R	2301-000426	C CAPACITOR		
	AC17L	2301-000404	C CAPACITOR		
	AC17R	2301-000404	C CAPACITOR		
	AC2L	2401-000357	E CAPACITOR		
	AC2R	2401-000357	E CAPACITOR		
	AC3R	2401-002180	E CAPACITOR		
	AC300	2401-001364	E CAPACITOR		
	AC4L	2401-001154	E CAPACITOR		
	AC4R	2401-001154	E CAPACITOR		
	AC5L	2201-000838	C CAPACITOR		
	AC5R	2201-000838	C CAPACITOR		
	AC6L	2401-002180	E CAPACITOR		
	AD 5	0402-000127	DIODE		
	AL1L	AH27-90001A	COIL		
	AL1R	AH27-90001A	COIL		
	AQ 5	0501-000407	TRANSISTOR	KSD471-YTA	
	AQ 6	0501-000010	TRANSISTOR	KSC1008-YTA	
	AQ 7	0501-000407	TRANSISTOR	KSD471-YTA	
	AQ 8	0501-000610	TRANSISTOR	KSA928A	
	AQ2L	0501-000407	TRANSISTOR	KSD471-YTA	
	AQ2R	0501-000407	TRANSISTOR	KSD471-YTA	
	AQ300	0501-000398	TRANSISTOR	KSC945-YTA	
	AQ301	0501-000398	TRANSISTOR		
	AQ302	0501-000303	TRANSISTOR	KSA733YTA	
	AQ313	0501-000398	TRANSISTOR	KSC945-YTA	
	AR 13	2003-000008	C RESISTOR		
	AR 20	2001-000591	C RESISTOR		
	AR 21	2001-000429	C RESISTOR		
	AR 25	2001-000515	C RESISTOR		
	AR 26	2001-000273	C RESISTOR		
	AR 32	2001-000591	C RESISTOR		
	AR 33	2001-000591	C RESISTOR		
	AR 35	2001-000429	C RESISTOR		
	AR 36	2001-000429	C RESISTOR		
	AR 77	2001-000065	C RESISTOR		
	AR 78	2003-000008	C RESISTOR		
	ARL 1	3501-001197	RELAY	OSA-SS-212DM3	
	AR1L	2001-000290	C RESISTOR		
	AR1R	2001-000290	C RESISTOR		
	AR15L	2003-000689	OM RESISTOR		
	AR15R	2003-000689	OM RESISTOR		
	AR2L	2001-000221	C RESISTOR		
	AR2R	2001-000221	C RESISTOR		
	AR3L	2001-000864	C RESISTOR		
	AR3R	2001-000864	C RESISTOR		
	AR300	2001-000522	C RESISTOR		
	AR301	2001-000660	C RESISTOR		
	AR302	2001-000522	C RESISTOR		
	AR304	2001-000734	C RESISTOR		
	AR304	2001-000290	C RESISTOR		
	AR305	2001-000522	C RESISTOR		
	AR306	2001-000864	C RESISTOR		
	AR307	2001-000864	C RESISTOR		
	AR308	2001-000734	C RESISTOR		

△	Item	Parts number	Parts name	Remarks	Area
	AR4L	2003-000390	OM RESISTOR		
	AR4R	2003-000390	OM RESISTOR		
	AR5L	2003-000390	OM RESISTOR		
	AR5R	2003-000390	OM RESISTOR		
	AR56L	2001-000864	C RESISTOR		
	AR56R	2001-000864	C RESISTOR		
	AR6L	2001-000017	C RESISTOR		
	AR6R	2001-000017	C RESISTOR		
	AR7L	2001-000449	C RESISTOR		
	AR7R	2001-000449	C RESISTOR		
	AR8L	2001-000591	C RESISTOR		
	AR8R	2001-000591	C RESISTOR		
	SPK 1	3716-001132	CONNECTOR		

■ Electrical parts list(CD board)

Block No. 04

△	Item	Parts number	Parts name	Remarks	Area	△	Item	Parts number	Parts name	Remarks	Area
	C 101	2401-000240	E CAPACITOR				CW104	3711-003379	CONNECTOR	35366-0310	
	C 102	2203-000440	CHIP CAPACITOR				CW105	3708-001438	CONNECTOR		
	C 103	2203-000257	CHIP CAPACITOR				CW106	AH39-20025S	LEAD CONNECTOR		
	C 104	2203-000257	CHIP CAPACITOR				CW107	3711-000906	CONNECTOR		
	C 105	2203-000257	CHIP CAPACITOR				C124A	2203-001063	CHIP CAPACITOR		
	C 106	2203-001140	CHIP CAPACITOR				C501L	2401-001954	E CAPACITOR		
	C 107	2401-000240	E CAPACITOR				C501R	2401-001954	E CAPACITOR		
	C 108	2401-000240	E CAPACITOR				C502L	2203-000440	CHIP CAPACITOR		
	C 111	2203-000888	CHIP CAPACITOR				C502R	2203-000440	CHIP CAPACITOR		
	C 112	2203-000888	CHIP CAPACITOR				D 301	0402-000151	DIODE	1N5392	
	C 113	2202-000780	C CAPACITOR				IC101	1204-001799	IC	KB9226	
	C 114	2401-001954	E CAPACITOR				IC201	0904-001524	IC	5L9290	
	C 115	2203-000206	CHIP CAPACITOR				IC301	1003-000179	IC	KA9258D	
	C 116	2203-000206	CHIP CAPACITOR				IC401	1003-001162	IC	KA3082	
	C 117	2203-000440	CHIP CAPACITOR				IC402	1003-001162	IC	KA3082	
	C 118	2203-000206	CHIP CAPACITOR				IC801	AC14-12001G	IC	KA78L05Z-TA	
	C 119	2203-000800	CHIP CAPACITOR				J 1	2007-000070	CHIP RESISTOR		
	C 120	2401-001968	E CAPACITOR				J 2	2007-000070	CHIP RESISTOR		
	C 121	2203-000257	CHIP CAPACITOR				J 3	2007-000070	CHIP RESISTOR		
	C 122	2203-001140	CHIP CAPACITOR				J 4	2007-000029	CHIP RESISTOR		
	C 123	2401-000419	E CAPACITOR				J 5	2007-000070	CHIP RESISTOR		
	C 124	2203-000206	CHIP CAPACITOR				J 7	2007-000029	CHIP RESISTOR		
	C 126	2203-000491	CHIP CAPACITOR				J 8	2007-000029	CHIP RESISTOR		
	C 127	2203-000592	CHIP CAPACITOR				J 9	2007-000029	CHIP RESISTOR		
	C 128	2203-000800	CHIP CAPACITOR				J 10	2007-000070	CHIP RESISTOR		
	C 129	2203-000206	CHIP CAPACITOR				J 12	2007-000029	CHIP RESISTOR		
	C 130	2203-000206	CHIP CAPACITOR				J 13	2007-000070	CHIP RESISTOR		
	C 131	2203-000178	CHIP CAPACITOR				MJ 1	2007-000070	CHIP RESISTOR		
	C 132	2203-000178	CHIP CAPACITOR				MR 1	2007-000090	CHIP RESISTOR		
	C 133	2401-000240	E CAPACITOR				MR 2	2007-000090	CHIP RESISTOR		
	C 134	2203-000257	CHIP CAPACITOR				MR 3	2007-000090	CHIP RESISTOR		
	C 135	2401-001968	E CAPACITOR				Q 101	0501-000314	TRANSISTOR	KSA812	
	C 201	2203-000681	CHIP CAPACITOR				Q 301	0501-000610	TRANSISTOR	KSA928A	
	C 202	2203-000681	CHIP CAPACITOR				Q 302	0501-000010	TRANSISTOR	KSC1008-YTA	
	C 203	2203-001222	CHIP CAPACITOR				R 101	2007-000098	CHIP RESISTOR		
	C 204	2203-000178	CHIP CAPACITOR				R 102	2007-000098	CHIP RESISTOR		
	C 205	2203-000178	CHIP CAPACITOR				R 103	2007-000098	CHIP RESISTOR		
	C 207	2203-000257	CHIP CAPACITOR				R 104	2007-000098	CHIP RESISTOR		
	C 208	2203-000851	CHIP CAPACITOR				R 105	2007-000100	CHIP RESISTOR	68KOHM 5% 1/16W	
	C 209	2203-000257	CHIP CAPACITOR				R 106	2007-000100	CHIP RESISTOR	68KOHM 5% 1/16W	
	C 211	2203-000178	CHIP CAPACITOR				R 107	2007-000115	CHIP RESISTOR		
	C 212	2401-000240	E CAPACITOR				R 108	2007-000308	CHIP RESISTOR		
	C 213	2203-000257	CHIP CAPACITOR				R 110	2007-000455	CHIP RESISTOR		
	C 214	2203-000257	CHIP CAPACITOR				R 112	2007-001196	CHIP RESISTOR		
	C 215	2401-000240	E CAPACITOR				R 113	2007-000132	CHIP RESISTOR		
	C 216	2203-000257	CHIP CAPACITOR				R 114	2007-000100	CHIP RESISTOR	68KOHM 5% 1/16W	
	C 217	2401-000240	E CAPACITOR				R 115	2007-001179	CHIP RESISTOR		
	C 218	2203-000257	CHIP CAPACITOR				R 116	2007-000093	CHIP RESISTOR		
	C 301	2401-001102	E CAPACITOR				R 117	2001-000331	C RESISTOR		
	C 302	2401-000240	E CAPACITOR				R 118	2007-000109	CHIP RESISTOR		
	C 303	2401-000240	E CAPACITOR				R 119	2007-000101	CHIP RESISTOR		
	C 304	2203-000257	CHIP CAPACITOR				R 120	2007-000100	CHIP RESISTOR	68KOHM 5% 1/16W	
	C 305	2203-000257	CHIP CAPACITOR				R 120	2007-000098	CHIP RESISTOR		
	C 401	2203-000257	CHIP CAPACITOR				R 121	2007-000092	CHIP RESISTOR		
	C 402	2203-000257	CHIP CAPACITOR				R 123	2007-000097	CHIP RESISTOR		
	C 403	2203-000178	CHIP CAPACITOR				R 124	2007-000103	CHIP RESISTOR		
	C 801	2401-000795	E CAPACITOR				R 125	2007-000103	CHIP RESISTOR		
	C 804	2202-000243	C CAPACITOR				R 126	2007-000098	CHIP RESISTOR		
	C 805	2202-000243	C CAPACITOR				R 127	2007-000100	CHIP RESISTOR	68KOHM 5% 1/16W	
	C 806	2202-000243	C CAPACITOR				R 128	2007-000129	CHIP RESISTOR		
	CW101	3708-001252	CONNECTOR				R 132	2007-000090	CHIP RESISTOR		
	CW102	AH39-20561P	LEAD CONNECTOR				R 133	2007-000090	CHIP RESISTOR		
	CW103	3708-001131	CONNECTOR				R 201	2007-000074	CHIP RESISTOR		

■ Electrical parts list(CD board)

Block No. 04

△	Item	Parts number	Parts name	Remarks	Area
	R 202	2007-000109	CHIP RESISTOR		
	R 204	2007-000078	CHIP RESISTOR		
	R 205	2007-000078	CHIP RESISTOR		
	R 206	2007-000078	CHIP RESISTOR		
	R 207	2007-000078	CHIP RESISTOR		
	R 208	2007-000078	CHIP RESISTOR		
	R 209	2007-000078	CHIP RESISTOR		
	R 210	2007-000075	CHIP RESISTOR		
	R 301	2008-000140	C RESISTOR		
	R 302	2001-001006	C RESISTOR		
	R 803	2001-000429	C RESISTOR		
	R 804	2007-000078	CHIP RESISTOR		
	R 805	2007-000078	CHIP RESISTOR		
	R 806	2007-000078	CHIP RESISTOR		
	R 807	2007-000084	CHIP RESISTOR		
	R 808	2007-000084	CHIP RESISTOR		
	R 809	2007-000084	CHIP RESISTOR		
	R 810	2001-000515	C RESISTOR		
	R 811	2007-000078	CHIP RESISTOR		
	R 813	2007-000097	CHIP RESISTOR		
	R501L	2007-000102	CHIP RESISTOR		
	R501R	2007-000102	CHIP RESISTOR		
	R502L	2007-000074	CHIP RESISTOR		
	R502R	2007-000074	CHIP RESISTOR		
	X 201	2802-000211	CERAMIC RESONAT		
	ZD301	0403-000344	ZENER DIODE	UZ3.9B	
	ZD401	0403-000361	ZENER DIODE	UZ6.2BSB	
	ZD402	0403-000352	ZENER DIODE	UZ4.7BM	

■ Electrical parts list(Tuner board)

Block No. 05

△	Item	Parts number	Parts name	Remarks	Area	△	Item	Parts number	Parts name	Remarks	Area
	AMIF	E00-0000A23-0	I.F.T	A23			ICO 1	LA1837XX-S0S	IC	LA1837(DIP30S)	
	ANT	021069KN-P0D	ANT JACK	SC021069KN			ICO 2	LC72131X-S0S	IC	LC72131M(SOP)	
	BPF 1	J00-X000201-0	B.P.F	75J-201		J 1	1160000X-R0S	CHIP RESISTOR		R1608 0R0	
	BPF 2	J00-X000201-0	B.P.F	75J-201		J 2	1160000X-R0S	CHIP RESISTOR		R1608 0R0	
	C 2	K16X223K-R0S	CERAMIC CAPACIT	C1608 X7R 1H 22		J 3	3320000X-R0S	CHIP RESISTOR		R3216 0R0	
	C 5	K16X103K-R0S	CERAMIC CAPACIT	C1608 X7R 1H 10		J 4	3320000X-R0S	CHIP RESISTOR		R3216 0R0	
	C 6	K16X223K-R0S	CERAMIC CAPACIT	C1608 X7R 1H 22		J 5	2200000X-R0S	CHIP RESISTOR		R2012 0R0	
	C 7	G16X473K-R0S	CERAMIC CAPACIT	C1608 X7R 1C 47		J 6	2200000X-R0S	CHIP RESISTOR		R2012 0R0	
	C 8	K16G150J-R0S	CERAMIC CAPACIT	C1608 COG 1H 15		J 7	1160000X-R0S	CHIP RESISTOR		R1608 0R0	
	C 9	K20X102K-R0S	CERAMIC CAPACIT	C2012 X7R 1H 10		J 9	2200000X-R0S	CHIP RESISTOR		R2012 0R0	
	C 10	K05B102K-AOT	AXIAL CAPACITOR	UP050 B 102K		J 11	2200000X-R0S	CHIP RESISTOR		R2012 0R0	
	C 11	G16X473K-R0S	CERAMIC CAPACIT	C1608 X7R 1C 47		J 12	2200000X-R0S	CHIP RESISTOR		R2012 0R0	
	C 12	K16X103K-R0S	CERAMIC CAPACIT	C1608 X7R 1H 10		J 13	3320000X-R0S	CHIP RESISTOR		R3216 0R0	
	C 13	K16G101J-R0S	CERAMIC CAPACIT	C1608 COG 1H 10		J 14	3320000X-R0S	CHIP RESISTOR		R3216 0R0	
	C 14	K16G180J-R0S	CERAMIC CAPACIT	C1608 COG 1H 18		MA	E00-X000263-0	I.F.T		A27	
	C 15	K16G220J-R0S	CERAMIC CAPACIT	C1608 COG 1H 22		MO	E00-0060LMO-0	I.F.T		60LMO	
	C 16	K16G221J-R0S	CERAMIC CAPACIT	C1608 COG 1H 22		Q 1	C3142J4X-R0S	CHIP TR		2SC 3142-J4	
	C 19	G16Y104Z-R0S	CERAMIC CAPACIT	C1608 Y5V 1C 10		Q 2	DTA114EK-R0R	CHIP TR		DTA114EKA	
	C 20	K16X102K-R0S	CERAMIC CAPACIT	C1608 X7R 1H 10		R 1	1160000X-R0S	CHIP RESISTOR		R1608 0R0	
	C 21	K16X222K-R0S	CERAMIC CAPACIT	C1608 X7R 1H 22		R 3	3XX1000J-A0S	CARBON RESISTOR		1/8W 100w-	
	C 22	G16X333K-R0S	CERAMIC CAPACIT	C1608 X7R 1C 33		R 4	1161000J-R0S	CHIP RESISTOR		R1608 101J	
	C 23	K16X223K-R0S	CERAMIC CAPACIT	C1608 X7R 1H 22		R 5	3XX1000J-A0S	CARBON RESISTOR		1/8W 100w-	
	C 24	K16X223K-R0S	CERAMIC CAPACIT	C1608 X7R 1H 22		R 6	1163301J-R0S	CHIP RESISTOR		R1608 332J	
	C 25	G16X393K-R0S	CERAMIC CAPACIT	C1608 X7R 1H 39		R 7	1164700J-R0S	CHIP RESISTOR		R1608 471J	
	C 26	G16X393K-R0S	CERAMIC CAPACIT	C1608 X7R 1H 39		R 8	1163300J-R0S	CHIP RESISTOR		R1608 331J	
	C 27	G16X473K-R0S	CERAMIC CAPACIT	C1608 X7R 1C 47		R 9	1162200J-R0S	CHIP RESISTOR		R1608 221J	
	C 28	G16X473K-R0S	CERAMIC CAPACIT	C1608 X7R 1C 47		R 10	3321002J-R0S	CHIP RESISTOR		R3216 103J	
	C 29	G16X473K-R0S	CERAMIC CAPACIT	C1608 X7R 1C 47		R 11	3320680J-R0S	CHIP RESISTOR		R3216 680J	
	C 30	G16X473K-R0S	CERAMIC CAPACIT	C1608 X7R 1C 47		R 12	1161000J-R0S	CHIP RESISTOR		R1608 101J	
	C 41	K16G010D-R0S	CERAMIC CAPACIT	C1608 COG 1H 01		R 13	1161003J-R0S	CHIP RESISTOR		R1608 104J	
	C 42	G16Y104Z-R0S	CERAMIC CAPACIT	C1608 Y5V 1C 10		R 14	1162701J-R0S	CHIP RESISTOR		R1608 272J	
	C 43	G16X473K-R0S	CERAMIC CAPACIT	C1608 X7R 1C 47		R 15	3XX1502J-A0S	CARBON RESISTOR		1/8W 15?	
	C 44	G16X473K-R0S	CERAMIC CAPACIT	C1608 X7R 1C 47		R 18	1165601J-R0S	CHIP RESISTOR		R1608 562J	
	C 45	K16X822K-R0S	CERAMIC CAPACIT	C1608 X7R 1H 82		R 19	2201000X-R0S	CHIP RESISTOR		R2012 101J	
	C 46	K16X822K-R0S	CERAMIC CAPACIT	C1608 X7R 1H 82		R 20	1162201J-R0S	CHIP RESISTOR		R1608 222J	
	C 49	G16Y104Z-R0S	CERAMIC CAPACIT	C1608 Y5V 1C 10		R 21	1161001J-R0S	CHIP RESISTOR		R1608 102J	
	CF 1	A7MA5AXX-B0C	C/FILTER	L10.7MA5A		R 22	1161001J-R0S	CHIP RESISTOR		R1608 102J	
	CF 2	A7MS3AAA-B0C	C/FILTER	L10.7MS3A-10A		R 23	1161001J-R0S	CHIP RESISTOR		R1608 102J	
	CF 4	LPB450J1-B0C	C/FILTER	LPB450J-1		R 24	1161001J-R0S	CHIP RESISTOR		R1608 102J	
	CON01	018111RY-P0L	CONNECTOR	GF120-11-TS		R 25	1161001J-R0S	CHIP RESISTOR		R1608 102J	
	D 1	1N4148XX-A0T	DIODE	1N4148		R 26	1161002J-R0S	CHIP RESISTOR		R1608 103J	
	D 2	1N4148XX-A0T	DIODE	1N4148		R 28	1161002J-R0S	CHIP RESISTOR		R1608 103J	
	D 3	MTZJ5R12-A0R	ZENER DIODE	MTZ 5.1V(0.5W)		R 30	2205600X-R0S	CHIP RESISTOR		R2012 561J	
	D 4	SVC348SX-A0S	V.C.DIODE	SVC348-SPA		R 31	1163302J-R0S	CHIP RESISTOR		R1608 333J	
	EC 02	G5BA470M-B0L	E CAPACITOR	16V 47UF(5*11)		R 32	1163301J-R0S	CHIP RESISTOR		R1608 332J	
	EC 03	J5BA2R2M-B0L	E CAPACITOR	35V 2.2UF(5*11)		R 33	1163301J-R0S	CHIP RESISTOR		R1608 332J	
	EC 05	G5BA470M-B0L	E CAPACITOR	16V 47UF(5*11)		R 34	2201001X-R0S	CHIP RESISTOR		R2012 102J	
	EC 06	G5BA100M-B0L	E CAPACITOR	16V 10UF(5*11)		R 35	2201001X-R0S	CHIP RESISTOR		R2012 102J	
	EC 07	K5BA010M-B0L	E CAPACITOR	50V 1UF(5*11)		R 36	1162202J-R0S	CHIP RESISTOR		R1608 223J	
	EC 08	G5BA100M-B0L	E CAPACITOR	16V 10UF(5*11)		R 37	1162202J-R0S	CHIP RESISTOR		R1608 223J	
	EC 09	J5BA4R7M-B0L	E CAPACITOR	35V 4.7UF(5*11)		R 38	1162201J-R0S	CHIP RESISTOR		R1608 222J	
	EC 10	J5BA2R2M-B0L	E CAPACITOR	35V 2.2UF(5*11)		R 39	3XX1000J-A0S	CARBON RESISTOR		1/8W 100w-	
	EC 11	J5BA2R2M-B0L	E CAPACITOR	35V 2.2UF(5*11)		R 40	1161502J-R0S	CHIP RESISTOR		R1608 153J	
	EC 12	G5BA100M-B0L	E CAPACITOR	16V 10UF(5*11)		R 41	1161801J-R0S	CHIP RESISTOR		R1608 182J	
	EC 13	G5BA100M-B0L	E CAPACITOR	16V 10UF(5*11)		R 42	1161800J-R0S	CHIP RESISTOR		R1608 181J	
	EC 14	G5BA470M-B0L	E CAPACITOR	16V 47UF(5*11)		R 43	1160470J-R0S	CHIP RESISTOR		R1608 470J	
	EC 15	K5BA010M-B0L	E CAPACITOR	50V 1UF(5*11)		R 44	1164701J-R0S	CHIP RESISTOR		R1608 472J	
	EC 16	G5BA100M-B0L	E CAPACITOR	16V 10UF(5*11)		R 45	2205101X-R0S	CHIP RESISTOR		R2012 512J	
	EC 17	K5BA010M-B0L	E CAPACITOR	50V 1UF(5*11)		R 46	1163301J-R0S	CHIP RESISTOR		R1608 332J	
	EC 18	K5BAR47M-B0L	E CAPACITOR	50V 0.47UF(5*11)		R 47	2205101X-R0S	CHIP RESISTOR		R2012 512J	
	EC 19	K5BA010M-B0L	E CAPACITOR	50V 1UF(5*11)		R 50	1164702J-R0S	CHIP RESISTOR		R1608 473J	
	EC 20	G5BA470M-B0L	E CAPACITOR	16V 47UF(5*11)		R 51	1164702J-R0S	CHIP RESISTOR		R1608 473J	
	FMDT	3C0-X000350-0	FM DET COIL	A33S		SVR 1	0001002P-B0Y	SVR		EVN D8A A03 B14	
	FMTUN	401-VA00009-0	FM TUNER	KST-F401VA-9		XTAL1	72000312-B0S	CRYSTAL		7.2MHZ(12?)/49U	

Parts list(Packing)

Block No. M5MM

△	Item	Parts number	Parts name	Q'ty	Description	Area
	P 1	AH69-00352A	MASTER-CARTON	1	MX-K5	J
		AH69-00352B	MASTER-CARTON	1	MX-K5	C
		AH69-00352E	MASTER-CARTON	1	MX-K6	C
	P 2	AH69-00343A	CUSHION-L	1	FOR SET	
	P 3	AH69-00344A	CUSHION-R	1	FOR SET	
	P 4	AH69-30012T	PE-BAG	1	FOR SET	
	P 5	18654-101-00	BAG-PE I/B	1	FOR ACCESSORIES	
	P 6	AH81-00373R	CUSHION-BOTTOM	1	FOR SPEAKER	
	P 7	AH81-00373Q	CUSHION-TOP	1	FOR SPEAKER	
	P 8	AH81-00373P	PE-BAG	2	FOR SPEAKER	

Parts list(Accessories)

Block No. M6MM

△	Item	Parts number	Parts name	Q'ty	Description	Area
	A 1	AH68-00746A	I/B(MX-K5)	1	ENG	J
		AH68-00746C	I/B(MX-K5)	1	ENG.FRE	C
		AH68-00748C	I/B(MX-K6)	1	ENG.FRE	C
	A 2	AH59-00095A	REMOCON-ASSY	1	RM-SMXK5A (MX-K	
	A 3	AH38-10001A	MF ANT WIRE	1	FM	
	A 4	AH42-20001S	LOOP ANT	1	AM	
	A 5	-----	BATTERY	2		
	A 6	AH68-00415A	WARANTY CARD	1		C
	A 7	AH68-00416A	SAFETY CARD	1		J
	A 8	AH68-00416B	SERVICE NETWORK	1		C
	A 9	MXK5K-SPBOX-L	SPEAKER BOX	1		
	A 10	MXK5K-SPBOX-R	SPEAKER BOX	1		